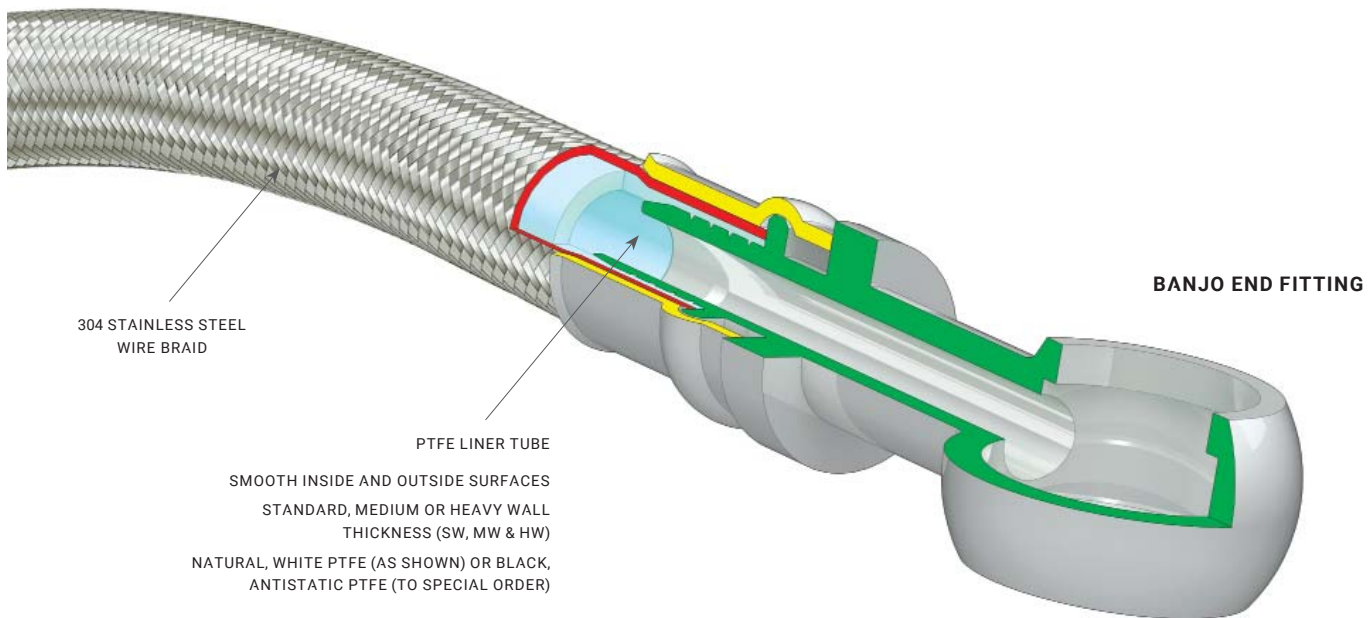


SMOOTHBORE

PTFE Hose for Automotive and General Purpose Applications

A High Temperature and Pressure Resistant, Smooth Bore Hose compatible with all Automotive Fluids

A -3 SMOOTHBORE HOSE ASSEMBLY



SMOOTHBORE HOSE SPECIFICATIONS

HOSE BORE SIZE RANGE -

Standard Wall and Heavy Wall $\frac{1}{8}$ " (3MM) UP TO 1" (25MM)

Medium Wall ('Dash Sizes')

-3 (3.5MM BORE) TO -16 (26.4MM BORE)

HOSE LENGTHS -

-3 SIZE 200 METRES (650 FEET) TO -16 SIZE 40 METRES (130 FEET)

CUT LENGTHS AND PREFORMED LENGTHS AVAILABLE

TEMPERATURE LIMITS -

FROM -73°C (-100°F) UP TO +260°C (+500°F), DEPENDING ON PRESSURE

WORKING PRESSURE RATINGS -

-3 = 350 BAR (5000 PSI) TO -16 = 80 BAR (1150 PSI), FOR TEMPERATURES UP TO 150°C (300°F)

VACUUM LIMITATIONS -

VACUUM RESISTANT TO -0.9BAR FOR HEAVY WALL HOSE IN SIZES UP TO $\frac{3}{8}$ " (10MM)

END FITTINGS -

BSPT AND NPT MALE AND FEMALE, BSP AND NPSM 60° CONE SEAT AND FLAT SEAT FEMALE UNIONS, JIC THREADED MALE AND FEMALE FITTINGS, STANDPIPE FITTINGS AND MANY MORE

ALTERNATIVE DESIGN OPTIONS (to special order) -

- DOUBLE BRAID OR 'HIGH PACK' BRAID FOR INCREASED PRESSURE RESISTANCE, HIGH PRESSURE GAS GRADE

- PVC, NYLON II, SARLINK AND HYREL PLASTIC COVERS OVER BRAID WITH PRINTING. DIFFERENT COLOURS AND OTHER PLASTIC COVERS ARE ALSO AVAILABLE.

- FOR LARGER BORE SIZE WHERE IMPROVED FLEXIBILITY IS NEEDED, HYPERLINE FX HOSE IS RECOMMENDED.

APPROVALS -

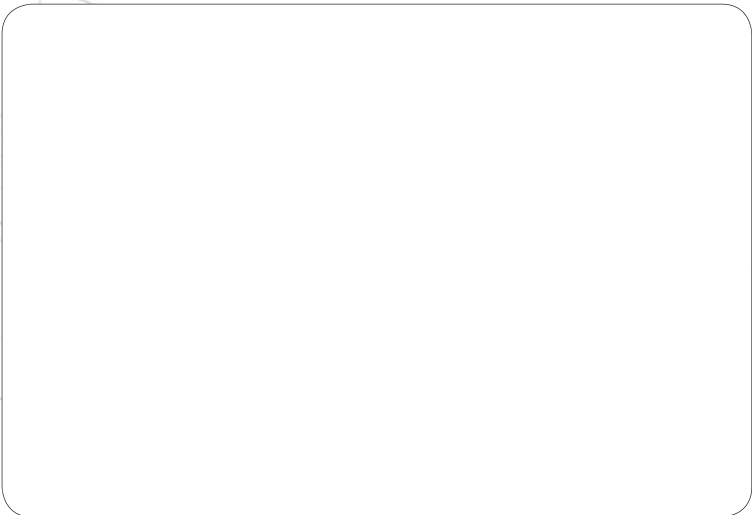
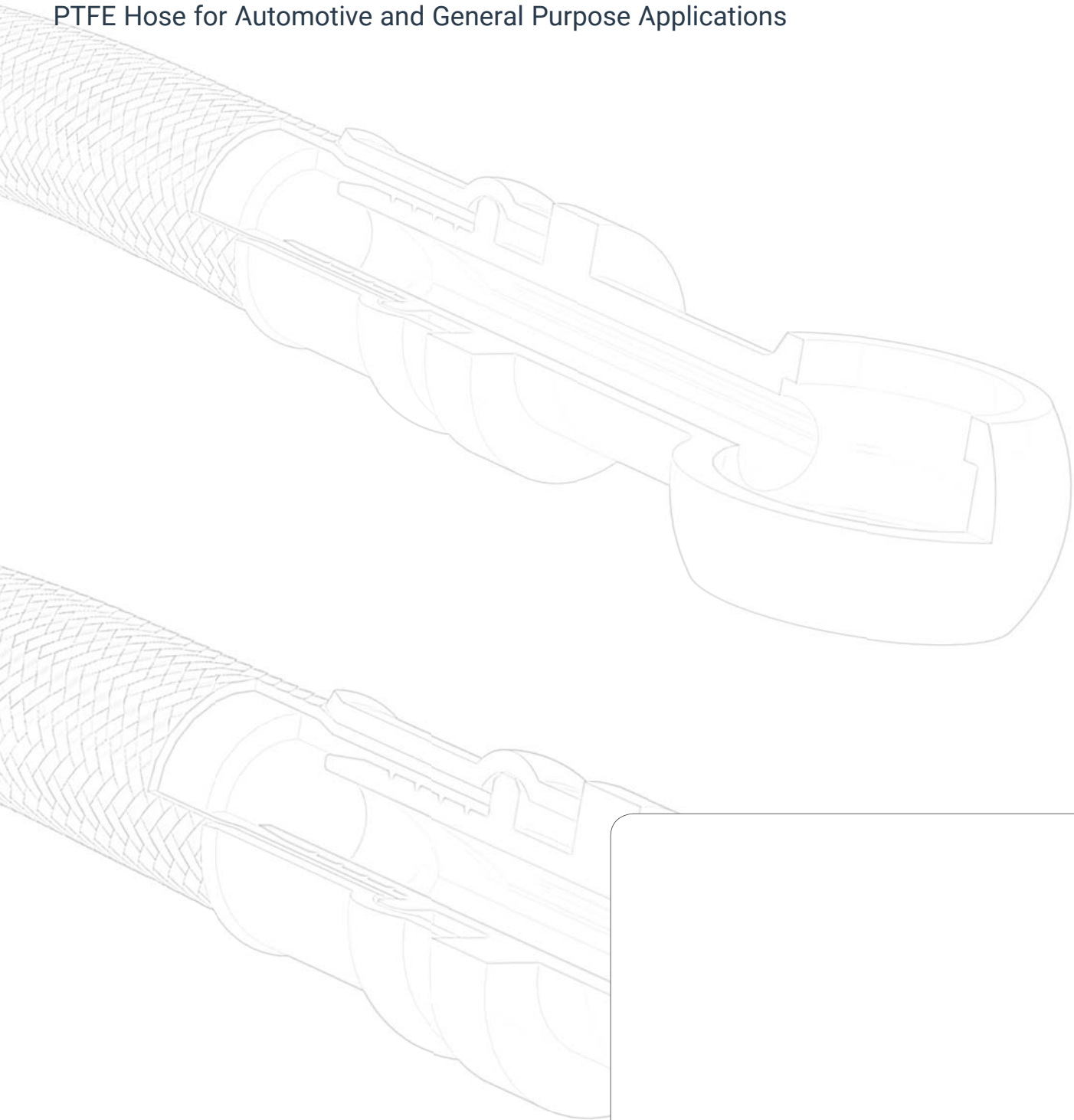
ISO 9001, TS16949, ISO 14001, EN16643, FDA (MATERIALS), USP 6, SAE J1401 & J1737, 3.1 TRACEABILITY

FOR THE FULL SMOOTHBORE BROCHURE PLEASE VISIT - WWW.AFLEX-HOSE.COM

UK +44 (0)1422 317200 USA 215 766 1455

SMOOTHBORE

PTFE Hose for Automotive and General Purpose Applications



USA SB/06.12.16 Rev 3

UK

Spring Bank Industrial Estate
Watson Mill Lane
Sowerby Bridge
Halifax
West Yorkshire, HX6 3BW
Tel: +44 (0) 1422 317200
Fax: +44 (0) 1422 836000

USA

32 Appletree Lane
Pipersville
Bucks County
Pa 18947
Tel: 215 - 766 - 1455
Fax: 215 - 766 - 1688



WWW.AFLEX-HOSE.COM

