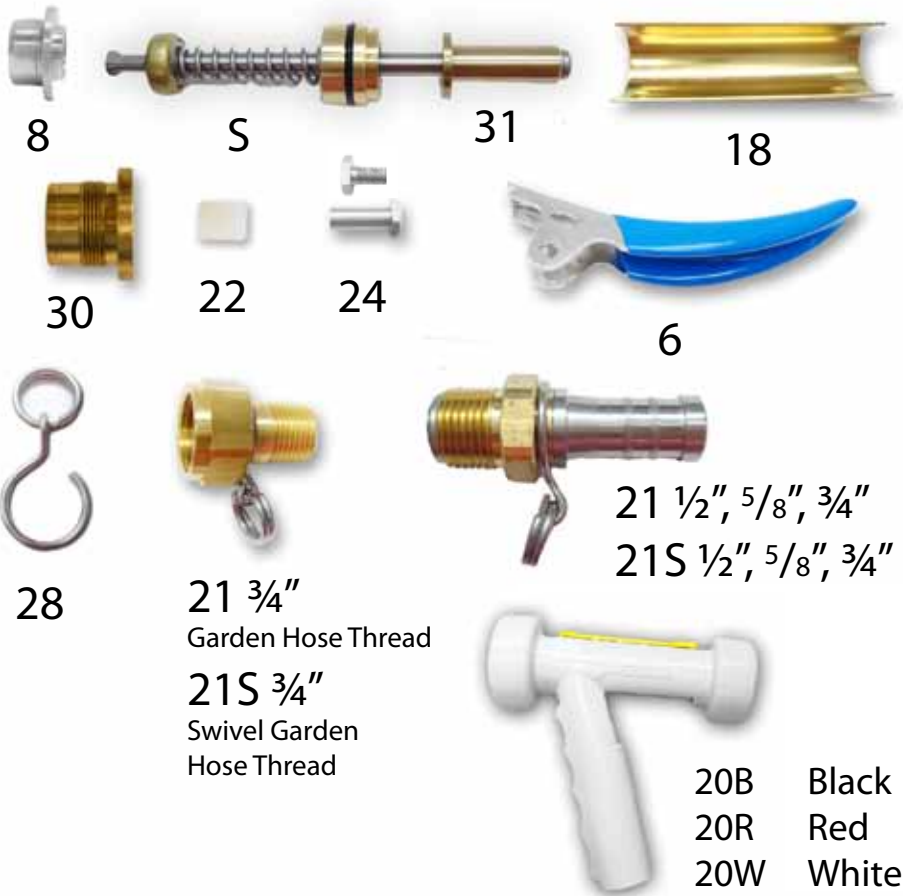




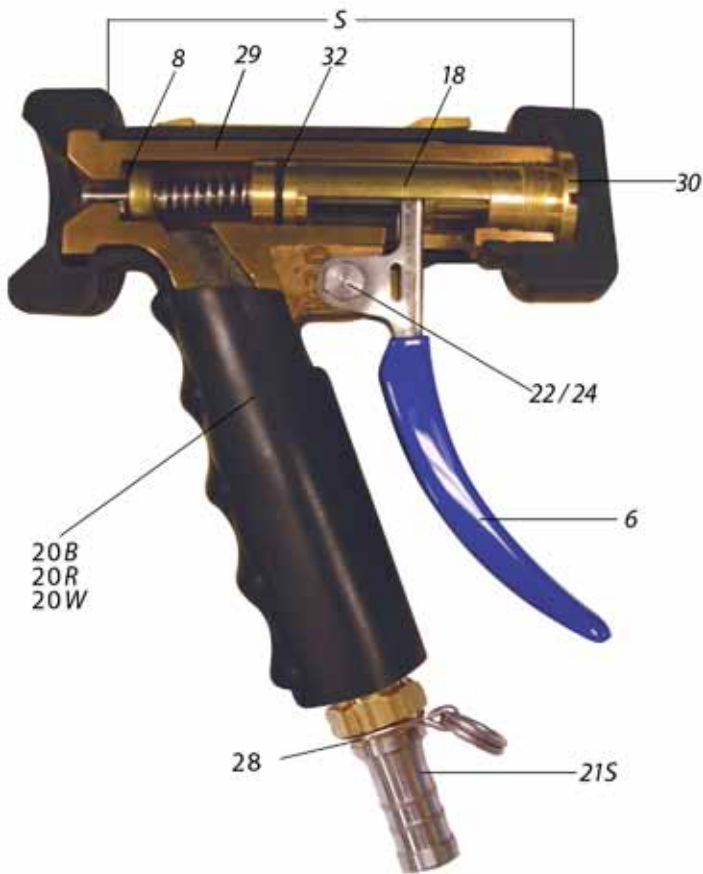
Water-Saver Spray Nozzle





PARTS LIST

- F** Renewable Cartridge Unit — Model F-90 Series
- SF** Renewable Cartridge Unit — Model F-90 SS Series
- J** Renewable Cartridge Unit — Model S-80 Series
- SJ** Renewable Cartridge Unit — Model S-80 SS Series
- M-70** Renewable Cartridge Unit — Model M Series (shown)
- S-70** Renewable Cartridge Unit — Model S Series
- 6** Lever Arm
- 8S** Stainless Steel Seat
- 18** Cage
- 20B** Renewable Rubber Cover (Black)
- 20R** Renewable Rubber Cover (Red)
- 20W** Renewable Rubber Cover (White)
- 21** Hose adapter (1/2", 5/8", 3/4")
(3/4" Garden Hose Thread)
- 21S** Swivel Hose Adapter (1/2", 5/8", 3/4")
(3/4" Swivel Garden Hose Thread)
- 22** Lever Arm Bushing
- 24** Lever Arm Screw and Nut
- 28** Lock Rings
- 29** Body
- 30** Lock Screw
- 31** Stem guide
- 32** Body Sealing O-Ring



INSTRUCTION FOR SERVICING

(Caution: Not for use on steam hose)*

The entire working parts of the Strahman Water-Saver Spray Nozzle are contained in a single cartridge (F, J, M, S). This cartridge can be removed by:

1. Remove rubber cover (20) by slipping the rubber off the back of nozzle and pulling over front.
2. Remove lever arm screw and nut (24) and remove lever arm (6)
3. Unscrew lock screw (30) and extract the cartridge from back end of nozzle with cage (18).
4. To insert new cartridge, reverse above procedure.
5. Be sure when replacing cage (18) to place cut-away part of cage facing downward, so lever arm (6) can be inserted.
6. Be sure lever arm is placed ahead of stem guide (31) on cartridge unit.
7. To replace cover wipe body with detergent, insert nozzle end first then handle into cover. Use a round ended tool approx. 3/8" in diameter to stretch cover over back. Sharp tools can cut cover.

*Please see back cover for additional information and instructions.



Strahman Valves, Inc.

2801 Baglyos Circle Lehigh Valley Industrial Park VI
Bethlehem, PA 18020 USA

Toll Free: 877-787-2462

Main Telephone Number: 484-893-5080

Last Updated: March, 2012

**Instructions same for 2-80, s-85, S-87 / Solid Stream Nozzle*

**Instructions same for F-90, F-95, F97 / Spray Only Nozzle*

**Instructions same for E-76 / Extension Nozzle*

**Instruction same for S-70, S-75, S-77 / Stainless Steel*